

The information on this sheet is Private and Confidential and is the property of Crane Process Flow Technologies Limited and must not be published directly or indirectly in any manner whatsoever without the written permission of the Company and must not be used in any way detrimental to their interests.
 © Crane Process Flow Technologies

CRANE Process Flow Technologies
 A Crane Co. Company

Saunders
 The Science Inside

Title
 SCHEDULE OF LEADING DIMENSIONS FOR DN65/2.50
 WEIR POINT OF USE 'T' BODY COMPLETE WITH :
 MAINLINE : BUTT WELD OD TUBE ENDS
 BRANCH : DN65/2.50 HYGIENIC CLAMP END

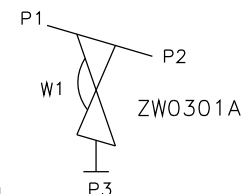
Drawn RI Date 14.10.11

UNCONTROLLED IN
 HARD COPY FORMAT

Checked RND Date 21.03.12

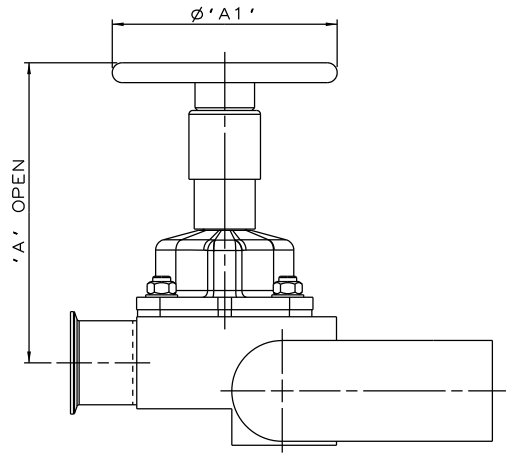
First Angle Projection Method E

Drawing No. WEB-047 Issue. 2

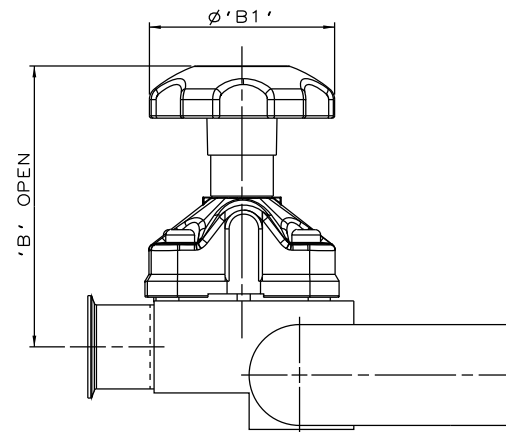


MAINLINE SIZE		A		B		C		D		ϕE		ϕF		G		H		BODY WEIGHT
mm	inch	mm	inch	mm	inch	mm	inch	mm	inch	mm	inch	mm	inch	mm	inch	mm	inch	Kgs
DN65	2.50	139.8	5.50	50.0	1.97	37.1	1.46	49.0	1.93	63.5	2.50	60.2	2.37	34.8	1.37	431.6	16.99	9.3
DN80	3.00	158.8	6.25	50.0	1.97	43.5	1.71	56.0	2.20	76.2	3.00	72.9	2.87	34.8	1.37	469.6	18.49	9.1
DN100	4.00	203.2	8.00	50.0	1.97	55.7	2.20	67.5	2.66	101.6	4.00	97.38	3.83	34.8	1.37	558.4	21.98	13.1

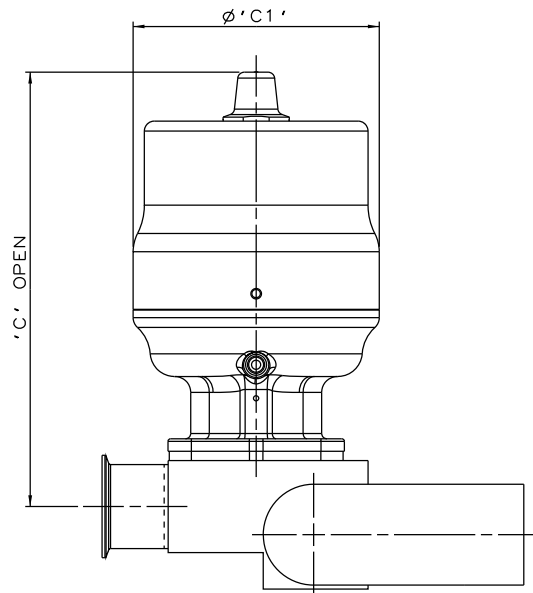
ORIENTATION AS
 PER P&ID DIAGRAM
 FOR OPTIMUM
 DRAINABILITY.



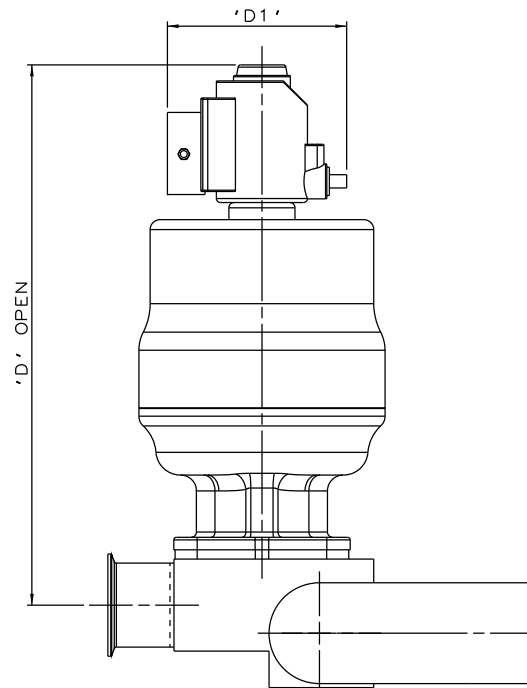
SS NON SEALED
BONNET ASSEMBLY



PES BONNET
ASSEMBLY



*S360 ACTUATOR



*S360 ACTUATOR
WITH I-VUE SENSOR

*DIMENSIONS SHOW MAXIMUM ENVELOPE FOR ALL MODES

MAINLINE SIZE	A		A1		B		B1		C		C1		D		D1		
	mm	inch	mm	inch	mm	inch	mm	inch	mm	inch	mm	inch	mm	inch	mm	inch	
DN65	2.50	227	8.94	170	6.7	213	8.39	140	5.51	328	12.91	186	7.32	408	16.06	135.5	5.33

The information on this sheet is Private and Confidential and is the property of Crane Process Flow Technologies Limited and must not be published directly or indirectly in any manner whatsoever without the written permission of the Company and must not be used in any way detrimental to their interests.
© Crane Process Flow Technologies

CRANE Process Flow Technologies
A Crane Co. Company

Saunders
The Science Inside

Title
SCHEDULE OF LEADING DIMENSIONS FOR DN65/2.50
WEIR POINT OF USE 'T' BODY COMPLETE WITH
MAINLINE : BUTT WELD OD TUBE ENDS
BRANCH : DN65/2.50 HYGIENIC CLAMP END
FITTED WITH TOPWORKS OPTIONS

Drawn JRD	Date 28.09.16	UNCONTROLLED IN HARD COPY FORMAT
Checked RND	Date 28.09.16	

First Angle Projection Method E		DO NOT SCALE	Drawing No. WEB-047-ASSY	Issue. 1
---------------------------------------	--	-----------------	-----------------------------	-------------